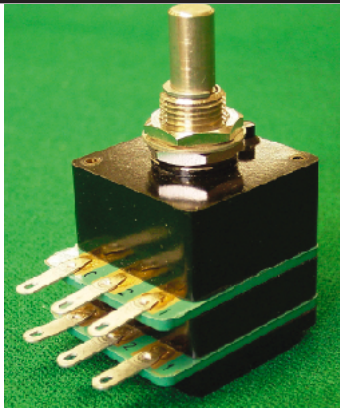
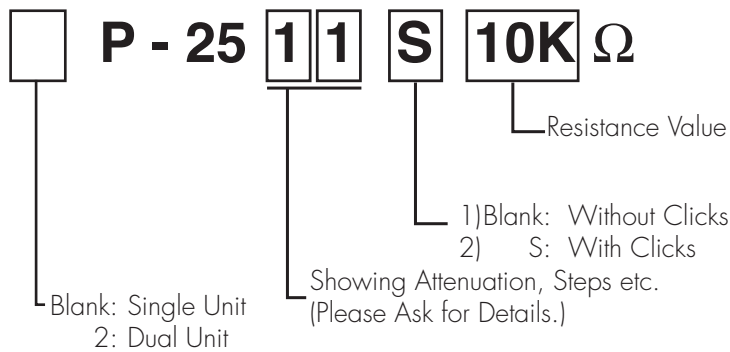


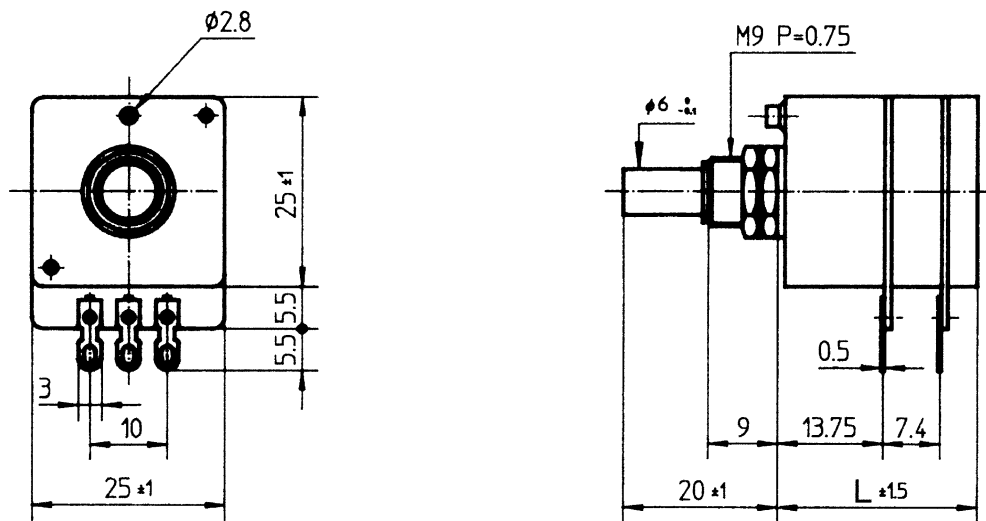
P-2500 SERIES



Numbering System



Dimensions

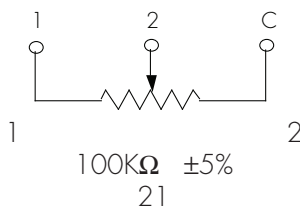


Number of channels	1	2
L	20	27

Specifications

MODEL
Frequency Range
Circuit

P-2511S(log) 2P-2511S(Log) 100KΩ
0 ~ 20KHz
Potentiometer



Number of Channels (Unbalanced)
Input Impedance
Number of Steps
Lows

Log Audio Taper, Last Step Attenuation ≥ 90dB

Steps	0	1	2	17	18	19	20	21
Att(dB)	0	2	4	•••(2dB step)•••	34	37	42	50	∞

Attenuation Accuracy

0~20dB ±0.2dB
22dB~32dB ±0.3dB
34dB~50dB ±0.4dB

Matching Accuracy

0~20dB ±0.3dB
22dB~30dB ±0.4dB
34dB~50dB ±0.5dB

Input Level
Insulation Resistance
Contact Spacing
Total Degree of Rotation
Contact Material
Life (Cycles)

Maximum 0.1W
≥100MΩ (at DC 500V)
15 Degrees Between Centers
315 Degrees
Copper + Gold Plated (Brush: Ag/Pd Alloy)
≥20,000