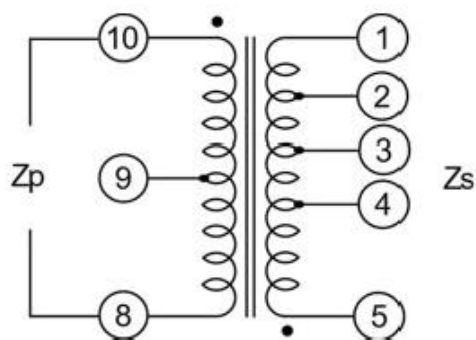


FC-20-107S Universal Type Single Output Transformer

ISO_{TM}

Power (W)		Impedance(Ω)		Response(-2dB) Level 4V, $r_p=Z_p$	Pri. Inductance(H)		Pri. Max DC Current	Efficiency at 16Ω
		Pri.	Sec.		at 1mW	最大		
20	60Hz	10k	8,16	40Hz~40kHz	30	38	Under 55mA recommended Max 100mA	0.19dB
	50Hz	7k	8,16	25Hz~35kHz	at DC55mA			0.25dB

Connection of Terminal



Zp	Zp CONECTION	
	8Ω	16Ω
7kΩ	⑤-③	⑤-①
10kΩ	⑤-④	⑤-②

Outline Drawing

