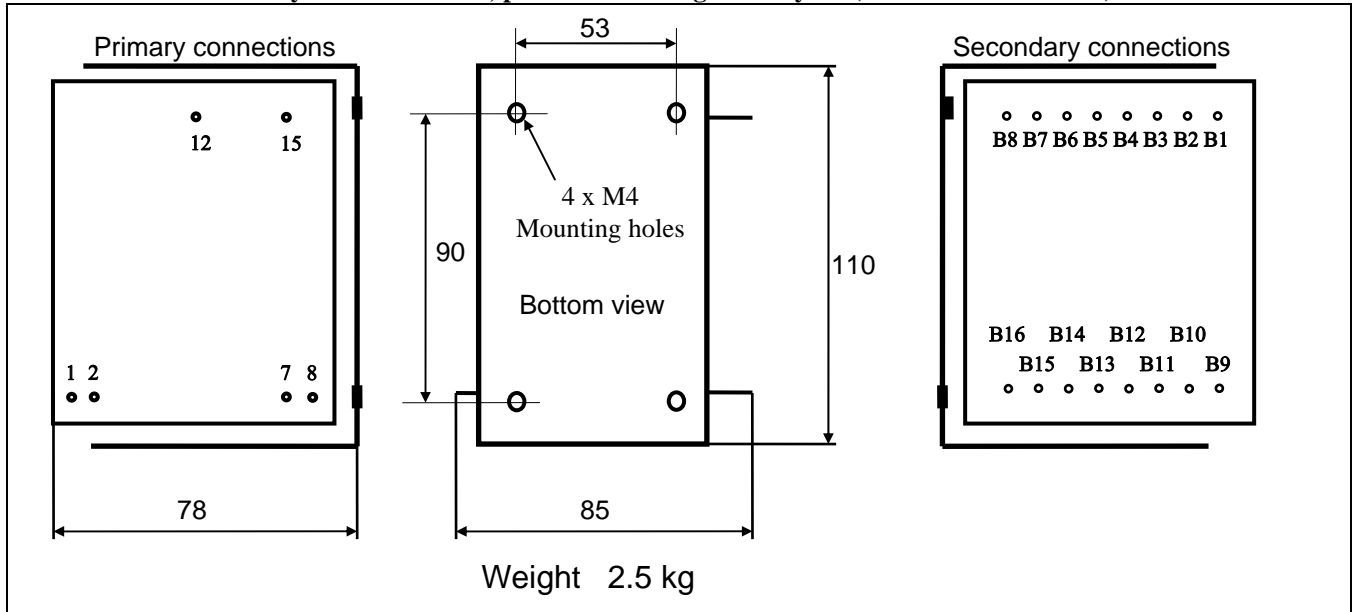


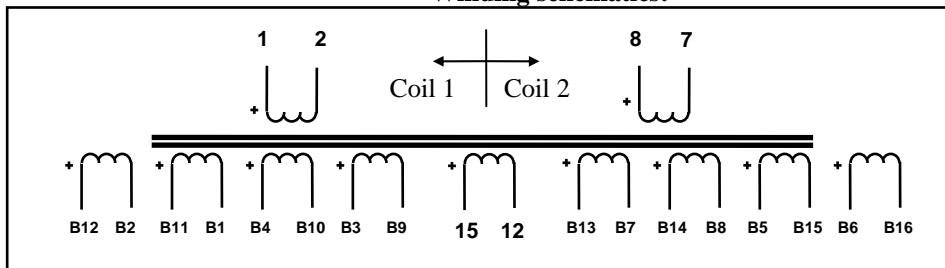
Tube Filament Current Mains Transformers LL2738

LL2738 is a C-core (with small air gap) mains transformer for applications where a large number of tube filaments needs supply. Estimated power rating 160 VA which can be increased with good cooling. Magnetic stray is small if the two coils are loaded symmetrically.

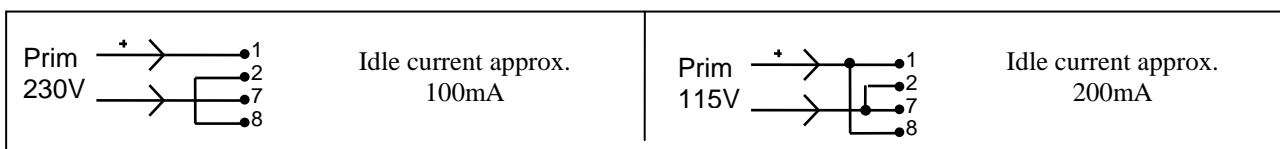
Physical dimensions, pin and mounting hole layout (all dimensions in mm)



Winding schematics:



Primary connection alternatives. Primary in series for 230V (left) and in parallel for 115V (right).



Copper resistance, no load output voltages and max recommended transformer current (rms) with primary connected to 230 V serial / 115V parallel

Primary res. Serial/parallel	Sec 15-12	All other secondaris
7.5 Ω / 1.9 Ω	29 Ω / 110 V 0.1 A	0.1 Ω / 6.6V * 3 A

*Will drop to approx 6.3V at 3A

Please note! Output current from rectifier: 63% of above with condensor input rectifier, 95% of above with choke input rectifier.